

DTA2 SERIES

Models: DTA2-40, DTA2-38, DTA2-35

DUR-A-LIFT®



DTAS-38 WITH OPTIONAL END-HUNG BASKET

SPECIFICATIONS

	DTA2-40	DTA2-38	DTA2-35
WORKING HEIGHT	45'	44'	41'
SIDE REACH*	28'6"	27'6"	27'8"
APPROX. STOWED TRAVEL HEIGHT**	10'7"	10'7"	10'7"
HEIGHT TO BOTTOM OF PLATFORM	40'	39'	36'
BASKET CAPACITY	400#	400#	400#
APPROX. LIFT WEIGHT	2535#	2400#	2185#
ARTICULATING ARM TRAVEL	0° to 82°	0° to 82°	-2° to 81°
MAIN BOOM TRAVEL	-25° to 75°	-25° to 75°	-25° to 75°
EXTENSION TRAVEL	110.5"	110.5"	110.5"

Specifications are based on 40 in chassis frame height. Dur-A-Lift Inc. reserves the right to improve models and change specifications without notice or obligation. Dur-A-Lift equipment meets or exceeds all applicable ANSI Standards as of the date of manufacture.

*Side reach shown is for an end-hung basket or a basket with rotator. Subtract 2 feet for an side-hung basket.

**Stowed height of 10'1" available with 33 chassis frame height. Adjust other specifications accordingly.

- TELESCOPIC ARTICULATING, PERSONNEL
- WORKING HEIGHT UP TO 45'
- BASKET ROTATOR OPTION
- COMPACT DESIGN AND STOWING
- OPTIONS AVAILABLE FOR USE WITH 9' BODY
- INSULATED (DTA2) OR NON-INSULATED (DTA2S)

BASKET OPTIONS:

- Fiberglass or aluminum
 - Side-hung, end-hung, or basket rotator
- *Side hung is standard



DUR-A-LIFT®
WE SPEAK BUCKET TRUCK

DTA2 SERIES

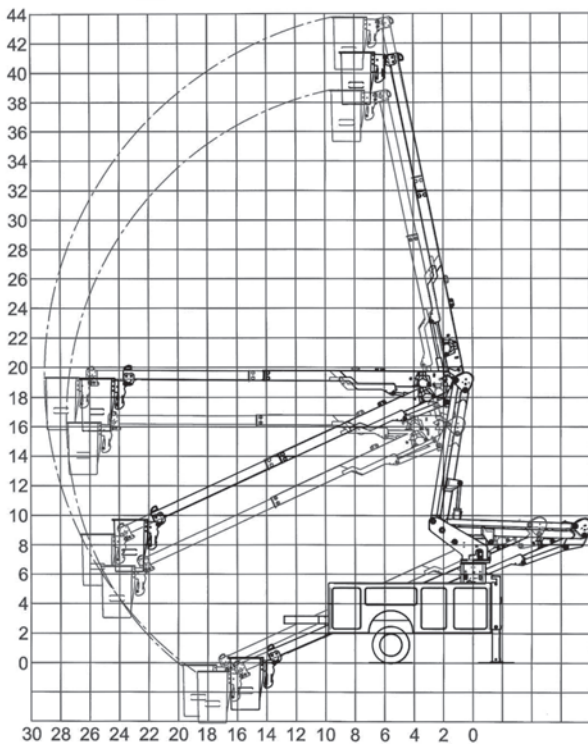
Models: DTA2-40, DTA2-38, DTA2-35

DUR-A-LIFT
WE SPEAK BUCKET TRUCK



DTAS-40TS WITH SIDE HUNG BASKET

REACH DIAGRAM



CHASSIS REQUIREMENT, MIN.: 15,000 GVWR (DTA2-35/38); 19,000 GVWR (DTA2-40)
CHASSIS CAB TO AXLE REQUIREMENT, MIN.: 60"-84" (DTA2-35/38/40)

Reach diagram shown with end-hung basket and 33 inch frame height.
See more configurations online.

INSULATED/NON-INSULATED

DTA2: insulated, Cat. C or D (full pressure controls)

DTA2S: non-insulated (drive/battery, two speed or full pressure controls)

STANDARD

CONTROLS: Proportional controls; non-proportional controls (DTA2S-35/38TS); lower controls with override; engine start/stop from the basket; individual control levers.

HYDRAULIC SYSTEM: Rated pressure is 2200 PSI; operating pressure is 2000 PSI; open center hydraulic system.

MECHANICAL SYSTEM: Telescoping articulating boom action; offset main boom reduces travel height; shear ball rotation driven; fully enclosed worm gear box; non-continuous rotation; insulated extension boom (DTA2); 24"x24"x42" basket; side-hung basket.

OPTIONAL

Single-hand joystick upper control; outrigger or torsion bars; 12v D.C. backup; end-hung basket; **basket rotator**; basket offered in various sizes and configurations; basket liner (DTA2); basket cover; continuous rotation (full pressure system); tool trays of various sizes; tool circuits; tail shelf with walkup steps; main boom fiberglass insert (DTA2); articulating arm fiberglass insert (DTA2); paint color.



DTA-40FP

BUILT FOR YOU

Ask about available chassis, body, tailshelf, and basket options.



DTAS-35TS



READ MORE



MOBILE LIFTS, LLC
Sales • Service • Rentals • Accessories

104 G.P. Clement Dr, Collegeville, PA 19426
1+ (610) 489-1900
www.MobileLifts.com