

**DVS-29**  
 Telescopic, non-insulated bucket van

# DUR-A-LIFT®



DVS-29 AERIAL LIFT VAN

## SPECIFICATIONS

	DVS-29
WORKING HEIGHT	<b>34'</b>
SIDE REACH	<b>21'</b>
APPROX. STOWED TRAVEL HEIGHT	<b>10'1"</b>
HEIGHT TO BOTTOM OF PLATFORM	<b>29'</b>
BASKET CAPACITY	<b>350#</b>
APPROX. LIFT WEIGHT	<b>2000#</b>
BOOM TRAVEL	<b>-5° to 80°</b>
EXTENSION TRAVEL	<b>108"</b>

Dur-A-Lift Inc. reserves the right to improve models and change specifications without notice or obligation. Dur-A-Lift equipment meets or exceeds all applicable ANSI Standards as of the date of manufacture.

- NON-INSULATED, TELESCOPIC BUCKET VAN
- WORKING HEIGHT UP TO 34'; SIDE REACH TO 21'
- SINGLE-PERSON FIBERGLASS BASKET
- SPLICING LAB AND WALK-IN BASKET OPTIONS
- TONS OF EXTERIOR AND INTERIOR STORAGE OPTIONS



**ASK ABOUT UPGRADING TO THE WORKSTATION ON WHEELS OPTION**

**DUR-A-LIFT®**  
**WE SPEAK BUCKET TRUCK**

# DVS-29

Telescopic, non-insulated bucket van

**DUR-A-LIFT**<sup>®</sup>  
WE SPEAK BUCKET TRUCK



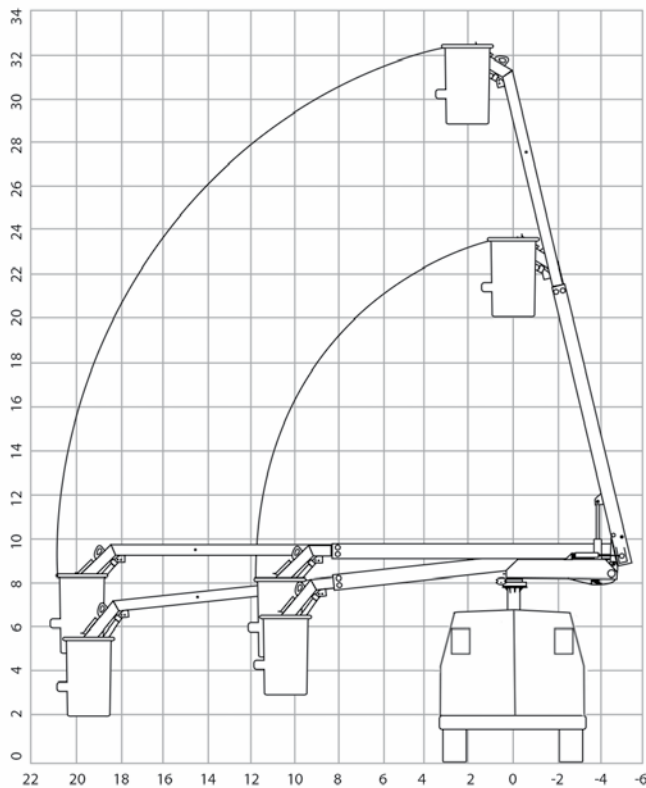
**OPTIONAL  
WORK STATION  
ON WHEELS**  
TAKE YOUR OFFICE  
ON THE ROAD WITH YOU!



Features dual fold down work tables, movable bench seat, 110V outlet, 2400 to 3600 watt inverter, lights, and Coleman climate control with heat and A/C.



## REACH DIAGRAM



CHASSIS REQUIREMENT, MIN.: 9,600 GVWR  
FRONT AXLE REQUIREMENT, MIN.: 3,900 POUNDS

## STANDARD

Adjustable wear blocks on main boom; 110V outlet basket; environmentally sealed toggle switches; greaseless bearings; 370° non-continuous rotation; electric over hydraulic controls; upper/lower controls with lower override; maximum operating pressure of 2,100 PSI; 5"x7" rectangular steel main boom; 4"x6" rectangular steel extension boom

## OPTIONAL

Hydraulic basket leveling with trim switch at basket; end-hung basket; walk-in basket; full function DC backup; lower remote controls; lower hydraulic basket stow/dump; lower start/stop; electric joystick; torsion bar; tail shelf; basket cover; tool tray; basket heater; fold down seat; splicers basket; battery power; fan belt clutch pump power; all enclosed body storage; workstation on wheels



BUILT FOR YOU - ASK ABOUT ALL AVAILABLE FEATURES AND OPTIONS.



READ MORE



**MOBILE LIFTS, LLC**  
Sales • Service • Rentals • Accessories

104 G.P. Clement Dr, Collegeville, PA 19426  
1+ (610) 489-1900  
[www.MobileLifts.com](http://www.MobileLifts.com)