

DVT-29
 Telescopic, non-insulated aerial transit van

DUR-A-LIFT®



DVT-29 AERIAL LIFT VAN

SPECIFICATIONS

	DVT-29
WORKING HEIGHT	34'
SIDE REACH	21'2"
APPROX. STOWED TRAVEL HEIGHT	9'6"
HEIGHT TO BOTTOM OF PLATFORM	29'
BASKET CAPACITY	350#
APPROX. LIFT WEIGHT	1650#
BOOM TRAVEL	-7° to 80°
EXTENSION TRAVEL	108"

Dur-A-Lift Inc. reserves the right to improve models and change specifications without notice or obligation. Dur-A-Lift equipment meets or exceeds all applicable ANSI Standards as of the date of manufacture.

- WORKING HEIGHT UP TO 34'; SIDE REACH TO 21'
- SINGLE-PERSON FIBERGLASS BASKET
- WALK-IN & SPLICER BASKET OPTIONS
- LOTS OF STORAGE OPTIONS



DUR-A-LIFT®
 WE SPEAK BUCKET TRUCK

DVT-29

Telescopic, non-insulated aerial transit van

DUR-A-LIFT
WE SPEAK BUCKET TRUCK



STANDARD

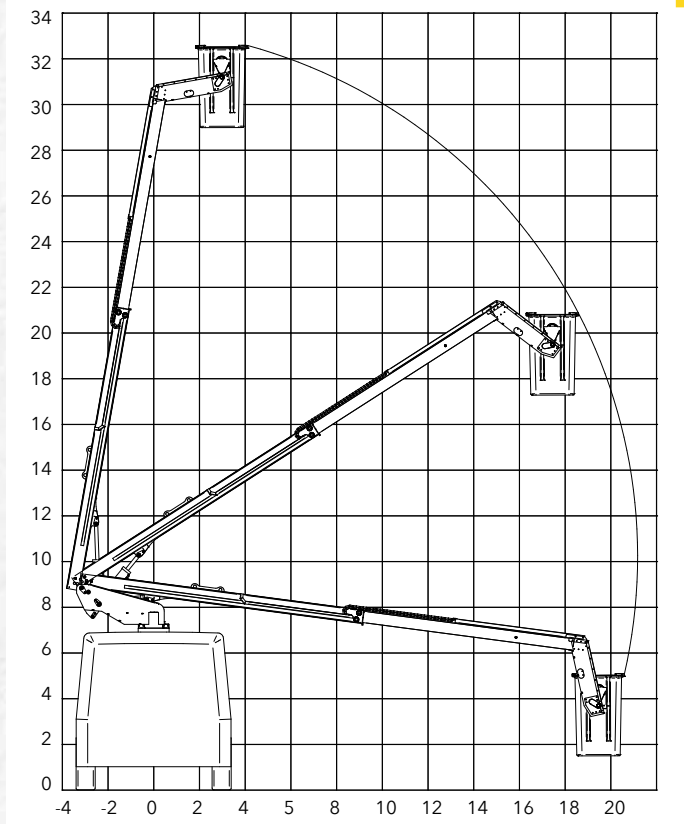
Adjustable wear blocks on main boom; 110V outlet basket; environmentally sealed toggle switches; greaseless bearings; 370° non-continuous rotation; electric over hydraulic controls; Upper/lower controls with lower override; maximum operating pressure of 2,250 PSI; 5"x7" rectangular steel main boom; 4"x6" rectangular aluminum extension boom



OPTIONAL

Hydraulic basket leveling with trim switch at basket; walk-in basket; full function DC backup; lower remote controls; lower hydraulic basket stow/dump; lower start/stop; electric joystick; tail shelf; basket cover; tool tray; basket heater; fold down seat; splicers basket; battery power; fan belt clutch pump power.

REACH DIAGRAM



CHASSIS REQUIREMENT: FORD TRANSIT 350 CARGO, LOW ROOF, 148" WHEELBASE, 9500 GVWR



READ MORE

ML MOBILE LIFTS, LLC
Sales • Service • Rentals • Accessories

104 G.P. Clement Dr, Collegeville, PA 19426
1+ (610) 489-1900
www.MobileLifts.com